

8ST Series



Applications

High density connectors for all military and aeronautical purposes

Standards

PAN 6433-2
LN 29729
VG 96912 - pr EN 3372
EFA J 62-017



Description

- A high density connector from 1 to 128 contacts
- Sizes 22D, 20, 16, 12, # 16 coax and # 8 triax
- Bayonet locking system
- MIL-C 38999 Series I contact layouts
- 100% scoop proof
- EMI/RFI shielding and shell-to-shell continuity

Characteristics

Mechanical

- Shell : aluminum alloy
- Plating : olive green cadmium or nickel
- Insulator : thermoplastic
- Grommet and seal : silicone elastomer
- Contact : copper alloy
- Plating : gold over nickel
- Endurance :
500 mating/unmating operations
- Shock :
300 g during 3 ms and MIL-S 901 grade A
- Vibration : 147 m/s², 10 to 2000 Hz
- Contact retention (mini force in N) :
size 22 D : 45 N size 20 : 60 N
size 16 : 100 N size 12 : 100 N
size 8 : 110 N

Electrical

- Test voltage (Vrms)

Service	sea level	at 21000 m
M	1300	800
I	1800	1000
II	2300	1000

- Contact resistance :
resistance of wire included in measurement :
size 22D : 14.6 mΩ size 16 : 3.8 mΩ
size 20 : 7.3 mΩ size 12 : 1.7 mΩ
- Insulation resistance :
≥ 5000 MΩ (at 500 Vdc)
- Contact rating :
size 22D : 5 A size 16 : 13 A
size 20 : 7.5 A size 12 : 23 A
- Shell continuity :
- nickel/cadmium olive green : ≤ 2.5 mΩ
- nickel plating : ≤ 1 mΩ
- Shielding :
70 dB at 0.01 to 100 MHz
- Triaxial contact : # 8
- Bandwidth : 0 - 20 MHz
- Voltage rating : 500 Vac maxi.
125 Vac at 21000 m
- Voltage drop :
inner and middle contact ≤ 55 mV under 1A
outer contact ≤ 75 mV under 12 A

Climatic

- Temperature range : -65°C to +175°C
- Sealing : mated connectors
differential pressure 2 bars leakage ≤ 16 cm³/hr
- Salt spray to method :
- MIL-STD 1344 method 1001
- VG 95 210, part 2 (48 hours)
- DIN IEC 68, part 2.11

Resistance to fluids

To MIL-C 38999 :
MIL-L 7808 ; MIL-L 23699 ; MIL-H 5606 ;
MIL-A 8243 ; MIL-C 25769 ; MIL-T 5624
(JP5) - hydraulic fluids

Ordering information

FCI Souriau part numbers

basic series		8ST	5	-	10	G	35	P	N
shell type	0 - square flange receptacle (for front or rear mounting) 1 - cable connecting receptacle 5 - plug with RFI/EMI shielding 6 - plug without RFI/EMI shielding 7 - jam nut receptacle (for single hole mounting)								
designator	- - for crimp contacts M - for receptacles with medium spill contacts C - for receptacles with short spill contacts L - for receptacles with long spill contacts								
shell size	08-10-12-14-16-18-20-22-24								
finish	G - drab olive cadmium F - nickel								
contact layout	- see table p 120								
type of contact	P - pin S - socket	A - without pin B - without socket							
polarization	N-A-B-C-D - see table p 91								

8ST Series



PAN 6433-2 part numbers

basic series	PAN 6433-2	FG	10	-	35	P	N
shell type	B - square flange receptacle (for front or rear mounting) FG - plug with RFI/EMI shielding F - plug without RFI/EMI shielding A - jam nut receptacle (for single hole mounting)						
shell size	08-10-12-14-16-18-20-22-24						
finish	- drab olive cadmium only						
contact layout	- see table p 120						
type of contact	P - pin S - socket						
polarization	N-A-B-C-D - see table p 91						

VG 96 912 part numbers

basic series	VG 96 912	D	10	-	35	P	N
shell type	A - square flange receptacle (for front or rear mounting) D - plug with RFI/EMI shielding E - plug without RFI/EMI shielding B - jam nut receptacle (for single hole mounting)						
shell size	08-10-12-14-16-18-20-22-24						
finish	- drab olive cadmium only						
contact layout	- see table p 120						
type of contact	P - pin S - socket						
polarization	N-A-B-C-D - see table p 91						

Cross reference list

Shell style	FCI Souriau part no.	PAN 6433-2	LN 29 729	VG 96 912	EN 3372 *	J62.017 (EFA) *
Plug	8ST6••G••P/S	F••	E••	E••	E••	-
Plug RFI/EMI	8ST5••G••P/S	FG••	D••	D••	D••	FG••
Square flange receptacle	8ST0••G••P/S	B••	A••	A••	A••	B••
Jam nut receptacle	8ST7••G••P/S	A••	B••	B••	B••	A••
Cable connecting receptacle	8ST1••G••P/S	-	-	-	-	-
Straight endbell Cable clamp	8LST xxx G52	Z•• ZA••	G1••	G1••	Separate EN-Norm	-
Endbell for Shielding braids	VG96912L••	-	L••	L••		-

*Note : please consult us. Our product will be evaluated against the final drafts/standards when available.

8ST Series

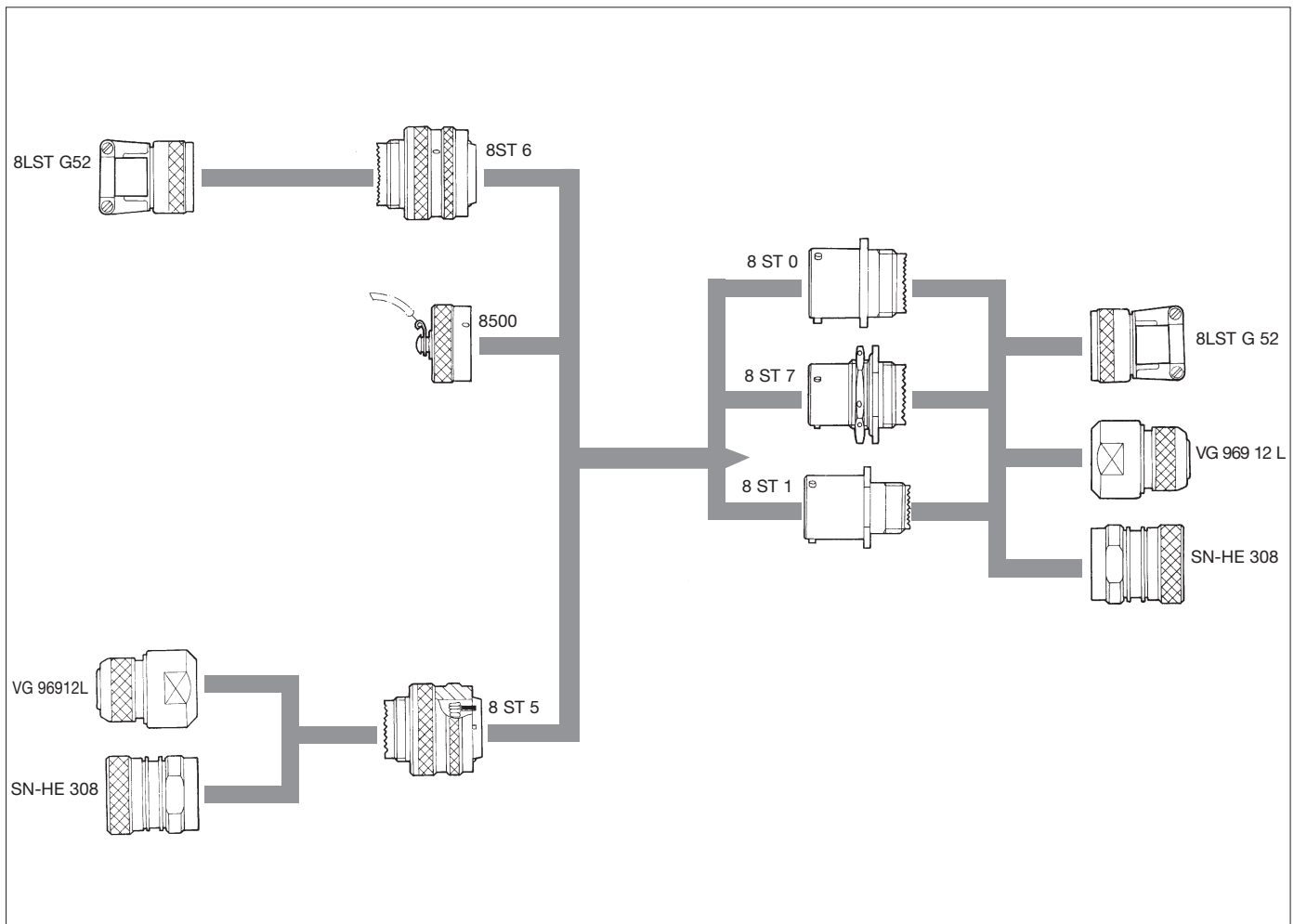


Cross reference list

Shell styles	FCI Souriau part no.	PAN 6433-2	LN 29 729	VG 96 912	EN 3372 *	J62.017 (EFA) *	
Pin contact							
Crimp # 22D	8599-0702	PAN6433-1P	LN29729- PNF22D	VG96912- P22D	Separate EN-Norm	P22	
# 20	8599-0703	-	-	P20		P20	
# 16	8599-0704	-	-	P16		P16	
# 12	8599-0705	-	-	P12		P12	
Socket contact							
Crimp # 22D	8599-0706	PAN6433-2S	LN29729- SNF22D	VG96912- S22D	Separate EN-Norm	S22	
# 20	8599-0707	-	-	S20		S20	
# 16	8599-0708	-	-	S16		S16	
# 12	8599-0709	-	-	S12		S12	
Filler plug							
# 22D	8660-212	PAN6433-1N	DIN65194-22D		Separate EN-Norm	N22	
# 20	8522-389A	PAN6433-1N20				DIN65194-20	N20
# 16	8522-390A	PAN6433-1N16				DIN65194-16	N16
# 12	8522-391A	PAN6433-1N12				DIN65194-12	N12

*Note : please consult us. Our product will be evaluated against the final drafts/standards when available.

Shell styles



8ST Series



Contacts with straight spill

receptacle type 7		shell style	spill type	contact - ref.	type	L1	L2	D1 Max	D2 Max	L4 Max		shell size
										Mm	Inch	
		8ST7	C	8599-0779	22D/P	4.0 .157	14.87 .585	0.65 .026	1.21 .048	2.52 1.72	.099 .068	8-16 18-24
			C	8599-0788	22D/S	4.0 .157	14.87 .585	0.65 .026	1.21 .048	2.52 1.72	.099 .068	8-16 18-24
			M	8599-0728	22D/P	6.5 .256	14.87 .585	0.63 .025	1.21 .048	2.52 1.72	.099 .068	8-16 18-24
			M	8599-0786	20/S	6.5 .256	14.87 .585	0.65 .026	1.55 .061	2.52 1.72	.099 .068	8-16 18-24
		8ST0	C	8599-0779	22D/P	4.0 .157	19.89 .783	0.65 .026	1.21 .048	7.74 7.89	.305 .311	8-18 20-22
			C	8599-0788	22D/S	4.0 .157	19.89 .783	0.65 .026	1.21 .048	7.74 7.89	.305 .311	8-18 20-22
			M	8599-0728	22D/P	6.5 .256	19.89 .783	0.63 .025	1.21 .048	7.74 7.89	.305 .311	8-18 20-22
			M	8599-0786	20/S	6.6 .260	19.89 .783	0.65 .026	1.55 .061	7.74 7.89	.305 .311	8-18 20-22

Note : please ask for separate installation instructions with contact co-ordinates.

Polarization

	shell size	N	A	B	C	D
	viewed from face of plug	08	95 °	77 °	-	-
	10	95 °	81 °	67 °	123 °	109 °
	12	95 °	75 °	63 °	127 °	116 °
	14	95 °	74 °	61 °	129 °	116 °
	16	95 °	77 °	65 °	125 °	113 °
	18	95 °	77 °	65 °	125 °	113 °
	20	95 °	77 °	65 °	125 °	113 °
	22	95 °	80 °	69 °	121 °	110 °
	24	95 °	80 °	69 °	121 °	110 °

Dimensions :

plugs type 5 and type 6

	shell size	L1	d1	thread J UNEF 2A
	Detail A: - Dimensions for triaxial contacts only, please consult us !	08	31.00 1.220	18.99 .748
	10	31.00 1.220	21.99 .866	9/26-24
	12	31.00 1.220	25.99 1.023	11 /16-24
	14	31.00 1.220	23.99 .944	13/16-20
	16	31.00 1.220	32.99 1.299	15/16-20
	18	31.00 1.220	35.99 1.417	1" 1/16-18
	20	31.00 1.220	38.99 1.535	1" 3/16-18
	22	31.00 1.220	41.99 1.653	1" 5/16-18
	24	31.00 1.220	44.99 1.771	1" 7/16-18

8ST Series



Square flange receptacle type 0

- This receptacle may be ordered with straight spill contacts
 - Please ask for separate catalogue with installation instructions.
 Detail A: - Dimensions for triaxial contacts only, please consult us!

shell size	L1	L2	L3	d1	b1	d2	e1	thread J UNEF 2A
08	16.05 .632	12.25 .482	2.30 .091	12.04 .474	21.00 .827	3.05 .120	15.10 .594	7/16-18
10	16.05 .632	12.25 .482	2.30 .091	15.02 .591	24.20 .953	3.05 .120	18.80 .740	9/16-24
12	16.05 .632	12.25 .482	2.30 .091	19.08 .751	26.60 1.047	3.05 .120	20.60 .811	11/16-24
14	16.05 .632	12.25 .482	2.30 .091	22.26 .876	29.00 1.142	3.05 .120	23.00 .906	13/16-20
16	16.05 .632	12.25 .482	2.30 .091	25.43 1.001	31.35 1.234	3.05 .120	24.60 .969	15/16-20
18	16.05 .632	12.25 .482	2.30 .091	28.61 1.126	33.70 1.327	3.05 .120	27.00 1.063	1" 1/16-18
20	15.29 .602	12.25 .482	3.06 .120	31.78 1.251	36.90 1.453	3.05 .120	29.40 1.157	1" 3/16-18
22	15.29 .602	12.25 .482	3.06 .120	34.96 1.376	40.10 1.579	3.05 .120	31.80 1.252	1" 5/16-18
24	15.29 .602	13.65 .537	3.06 .120	38.13 1.501	43.30 1.705	3.73 .147	34.90 1.374	1" 7/16-18

Jam nut receptacle type 7

- This receptacle may be ordered with straight spill contacts
 - Please ask for separate catalogue with installation instructions.
 Detail A: - Dimensions for triaxial contacts only, please consult us!

shell size	L1	L2	L3	d1	d2	b	thread J UNEF 2A
08	23.36 .920	9.75 .384	2.86 .113	12.04 .474	27.25 1.073	24.10 .949	9/16-24
10	23.36 .920	9.75 .384	2.86 .113	15.02 .591	30.50 1.201	27.30 1.075	11/16-24
12	23.36 .920	9.75 .384	2.86 .113	19.08 .751	35.25 1.388	32.10 1.264	13/16-20
14	23.36 .920	9.75 .384	2.86 .113	22.26 .876	38.40 1.512	35.20 1.386	15/16-20
16	23.36 .920	9.75 .384	2.86 .113	25.43 1.001	41.60 1.638	38.40 1.512	1" 1/16-18
18	23.36 .920	9.75 .384	3.66 .144	28.61 1.126	44.75 1.762	41.60 1.638	1" 3/16-18
20	23.36 .920	9.75 .384	3.66 .144	31.78 1.251	49.55 1.951	46.30 1.823	1" 5/16-18
22	23.36 .920	9.75 .384	3.66 .144	34.96 1.376	52.70 2.075	49.50 1.949	1" 7/16-18
24	23.36 .920	9.75 .384	3.66 .144	38.13 1.501	55.85 2.199	52.70 2.075	1" 7/16-18

Cable connecting receptacle type 1

Detail A: - Dimensions for triaxial contacts only, please consult us!

shell size	L1 Max	L2 Max	L3 Max	D1 Max	B1 Max	D2 Max	UNEF 2A thread J
08	16.05 .632	12.25 .482	2.30 .091	12.04 .474	14.63 .576	18.05 .711	7/16-24
10	16.05 .632	12.25 .482	2.30 .091	15.02 .591	18.93 .745	22.35 .880	9/16-24
12	16.05 .632	12.25 .482	2.30 .091	19.08 .751	22.23 .875	25.65 1.010	11/16-24
14	16.05 .632	12.25 .482	2.30 .091	22.26 .876	25.63 1.009	29.05 1.144	13/16-20
16	16.05 .632	12.25 .482	2.30 .091	25.43 1.001	27.83 1.096	31.25 1.230	15/16-20
18	16.05 .632	12.25 .482	2.30 .091	28.61 1.126	31.36 1.235	34.65 1.364	1" 1/16-18
20	15.29 .602	12.25 .482	3.06 .120	31.78 1.251	34.63 1.363	38.05 1.498	1" 3/16-18
22	15.29 .602	12.25 .482	3.06 .120	34.96 1.376	38.03 1.497	41.45 1.632	1" 5/16-18
24	15.29 .602	13.65 .537	3.06 .120	38.13 1.501	42.03 1.655	45.45 1.789	1" 7/16-18

8ST Series



Through-bulkhead receptacle

Part numbers

basic series **SN1863** **22** **G** **••** **PS** **N**

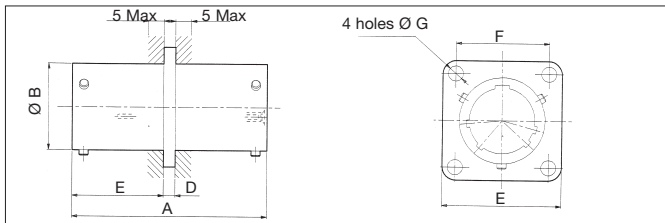
shell size 08 to 24

plating **G** - olive green cadmium

contact layout please consult us

contact type male / female

polarization **N** - normal

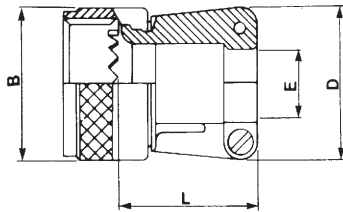


shell size	A Max	B Max	C Max	D Max	E Max	F	G Max
08	43.00 1.693	11.97 .471	20.20 .795	2.54 .100	20.97 .826	15.10 .594	3.24 .128
10	43.00 1.693	14.94 .588	20.20 .795	2.54 .100	24.18 .952	18.26 .719	3.24 .128
12	43.00 1.693	19.01 .748	20.20 .795	2.54 .100	26.56 1.046	20.62 .812	3.24 .128
14	43.00 1.693	22.18 .873	20.20 .795	2.54 .100	28.95 1.140	23.01 .906	3.24 .128
16	43.00 1.693	25.36 .998	20.20 .795	2.54 .100	31.31 1.233	24.61 .969	3.24 .128
18	45.00 1.772	28.53 1.123	20.80 .819	3.30 .130	33.67 1.326	26.97 1.062	3.24 .128
20	45.00 1.772	31.74 1.250	20.80 .819	3.30 .130	36.87 1.452	29.36 1.156	3.24 .128
22	45.00 1.772	34.88 1.373	20.80 .819	3.30 .130	40.05 1.577	31.75 1.250	3.24 .128
24	45.00 1.772	38.06 1.498	20.80 .819	3.30 .130	43.22 1.702	34.93 1.375	3.87 .152

Backshells

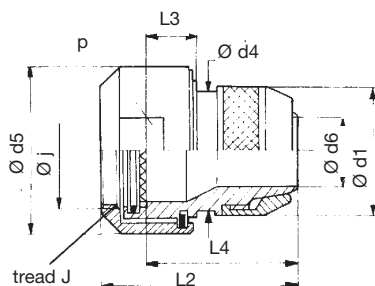
Backshell with cable clamp

shell size	reference	thread J UNEF-2B	E min	L Max	E Max	D nom.	B
08		7/16-28	1.58 .062	14.70 .579	3.18 .125	19.20 .756	15.70 .618
10	8LST 102 B52	9/16-24	1.58 .062	15.50 .610	4.78 .188	19.20 .756	18.60 .732
12	8LST 103 B52	11/16-24	3.18 .125	17.10 .673	6.35 .250	23.90 .941	21.80 .858
14	8LST 104 B52	13/16-20	6.35 .250	23.30 .917	9.53 .375	25.90 1.020	25.00 .984
16	8LST 105 B52	15/16-20	6.35 .250	26.80 1.055	12.70 .500	28.70 1.130	28.20 1.110
18	8LST 106 B52	1" 1/16-18	9.53 .375	26.80 1.055	15.88 .625	30.30 1.193	30.40 1.197
20	8LST 107 B52	1" 3/16-18	12.70 .500	26.80 1.055	19.05 .750	33.50 1.319	33.60 1.323
22	8LST 108 B52	1" 5/16-18	15.88 .625	26.80 1.055	22.23 .875	36.50 1.437	36.80 1.449
24	8LST 109 B52	1" 7/16-18	15.88 .625	26.80 1.055	25.40 1.000	39.80 1.567	40.00 1.575



Backshell for shielded cables and heatshrink boot

shell size	reference (cadmium olive)	thread J UNEF-2B	L1 Max	L2	d4	d5	d6	d7	P	L3 Max
08	VG96912 L 08	7/16-18	24.80 .976	34.00 1.339	12.00 .472	18.20 .717	6.20 .244	14.50 .571	16.00 .630	10.50 .413
10	VG96912 L 10	9/16-24	25.80 1.016	35.00 1.378	14.00 .551	21.20 .835	7.00 .276	16.50 .650	19.00 .748	10.50 .413
12	VG96912 L 12	11/16-24	25.80 1.016	35.00 1.378	16.00 .630	24.20 .953	9.50 .374	18.50 .728	22.00 .866	10.50 .413
14	VG96912 L 14	13/16-20	25.80 1.016	35.00 1.378	20.00 .787	27.20 1.071	12.50 .492	22.50 .886	25.00 .984	10.50 .413
16	VG96912 L 16	15/16-20	26.80 1.055	36.00 1.417	23.00 .906	30.20 1.189	15.50 .610	25.50 1.004	28.00 1.102	10.50 .413
18	VG96912 L 18	1" 1/16-18	26.80 1.055	36.00 1.417	24.50 .965	34.20 1.346	18.50 .728	28.50 1.122	32.00 1.260	10.50 .413
20	VG96912 L 20	1" 3/16-18	26.80 1.055	36.00 1.417	28.50 1.122	38.20 1.504	21.50 .846	32.50 1.280	36.00 1.417	10.50 .413
22	VG96912 L22	1" 5/16-18	26.80 1.055	36.00 1.417	30.50 1.201	40.20 1.583	23.50 .925	34.50 1.358	41.00 1.614	10.50 .413
24	VG96912 L24	1" 7/16-18	26.80 1.055	36.00 1.417	34.50 1.358	45.20 1.780	27.50 1.083	38.50 1.516	43.00 1.693	10.50 .413



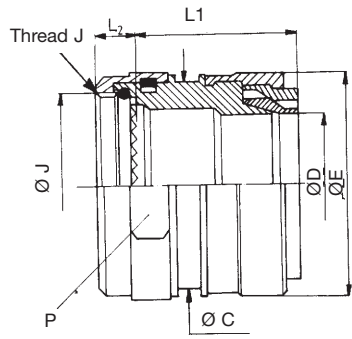
8ST Series



Backshells

Backshell for shielded cable and heatshrink boot SN-HE 308

shell size	reference (cadmium olive)	thread J UNEF-2B	L1			C	D min	E Max	P
			Max	8ST5	8ST0				
08	SN-HE308-13-09-1-7	7/16-28	20.90 .823	6.90 .272	6.90 .272	12.60 .496	6.90 .272	16.00 .630	16.80 .661
10	SN-HE308-13-11-1-7	9/16-24	20.90 .823	6.90 .272	6.90 .272	16.40 .646	9.60 .378	18.90 .744	20.80 .819
12	SN-HE208-13-13-1-7	11/16-24	20.90 .823	6.90 .272	6.90 .272	20.00 .787	12.70 .509	22.10 .870	22.80 .898
14	SN-HE308-13-15-1-7	13/16-20	22.90 .902	6.90 .272	6.90 .272	22.00 .866	14.80 .583	25.30 .996	25.80 1.016
16	SN-HE308-13-17-1-7	15/16-20	22.90 .902	6.90 .272	6.90 .272	25.00 .984	17.90 .705	28.50 1.122	28.80 1.134
18	SN-HE308-13-19-1-7	1" 1/16-18	23.90 .941	6.90 .272	6.90 .272	27.50 1.083	19.90 .783	31.50 1.240	31.80 1.220
20	SN-HE308-13-21-1-7	1" 3/16-18	27.70 1.091	6.90 .272	6.90 .272	31.90 1.256	23.10 .909	34.70 1.366	35.80 1.409
22	SN-HE308-13-23-1-7	1" 5/16-18	27.70 1.091	6.90 .272	6.90 .272	35.00 1.378	26.20 1.031	37.90 1.492	38.80 1.528
24	SN-HE308-13-25-1-7	1" 7/16-18	27.70 1.091	5.80 .228	6.90 .272	38.80 1.528	28.80 1.134	41.00 1.614	41.80 1.646

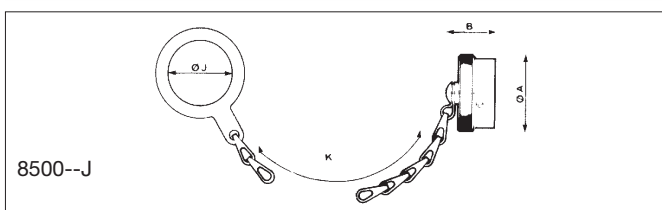
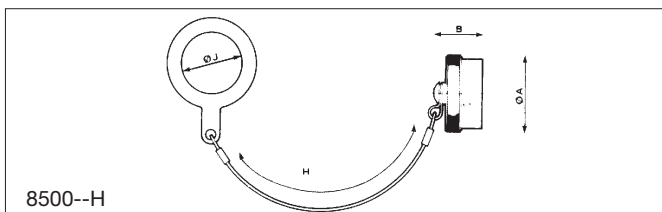
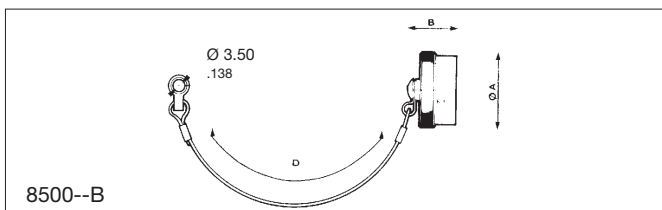
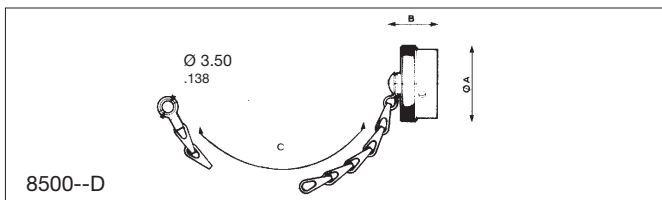


Notes : - for shell size 24: reference is SN HE 308.13.25.2.7.
- for use with style 8 ST 7: reference is SN HE 308.13.22.2.7.

Note : - When ordering backshells for use with jam nut receptacle style 8 ST 7 (shell size 8 to 22), one shell size larger should be selected e.g.: jam nut receptacle 8 ST 7-14 G 35 PN backshell GTR 1033-16.
- For shell size 24, backshell size 24 should be used.
- Backfittings with index N = cadmium olive green plating
index M = nickel plating
- Backshells VG 96 912 L... and SN HE 308... nickel plating please consult.

Accessories

Protective caps for receptacles styles 0, 1 and 7



shell size	part number	A Max	B Max	C	D	J Max	H	K
08	8500 02 . . . *	19.00 .748	21.44 .844	84.00 3.307	77.00 3.031	14.80 .583	80.00 3.150	84.00 3.307
10	8500 03 . . . *	21.80 .858	21.44 .844	84.00 3.307	77.00 3.031	17.90 .705	80.00 3.150	84.00 3.307
12	8500 04 . . . *	26.10 1.028	21.44 .844	100.00 3.937	89.00 3.504	22.70 .894	90.00 3.543	100.00 3.937
14	8500 05 . . . *	29.30 1.154	21.44 .844	100.00 3.937	89.00 3.504	25.90 1.020	90.00 3.543	100.00 3.937
16	8500 27 . . . *	32.50 1.280	21.44 .844	100.00 3.937	89.00 3.504	29.00 1.142	90.00 3.543	100.00 3.937
18	8500 06 . . . *	35.30 1.390	21.44 .844	100.00 3.937	89.00 3.504	32.30 1.272	90.00 3.543	100.00 3.937
20	8500 07 . . . *	38.80 1.528	21.44 .844	116.00 4.567	102.00 4.016	35.40 1.394	110.00 4.331	116.00 4.567
22	8500 08 . . . *	42.00 1.654	21.44 .844	116.00 4.567	102.00 4.016	38.60 1.520	110.00 4.331	116.00 4.567
24	8500 09 . . . *	45.10 1.776	22.22 .875	116.00 4.567	102.00 4.016	41.70 1.642	110.00 4.331	116.00 4.567

* specifications for caps style and plating see table.

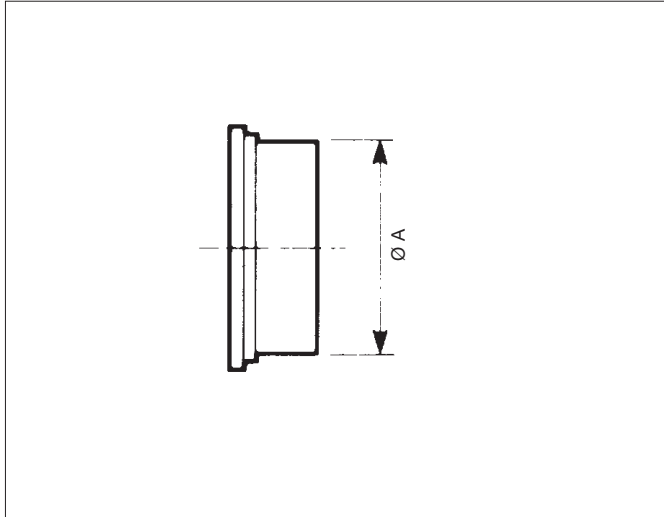
type protective cap	olive	nickel	for recept. style
cap with chain and ring	D	44 D	8 ST 0
cap with nylon cord and ring	B	44 B	8 ST 0
cap with nylon cord and washer	H	-	8 ST 7
cap with chain and washer	J	-	8 ST 7

8ST Series



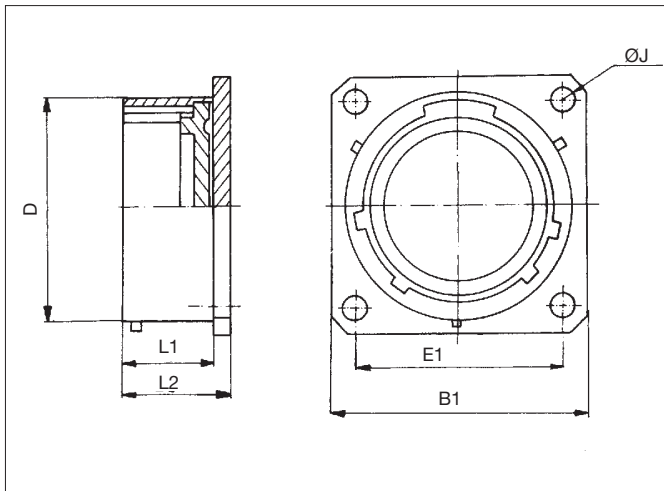
Accessories

Plastic protective cap



shell size	Dimension A		Part number	
	caps for receptacles	caps for plugs	caps for receptacles	caps for plugs
08	15.40 .606	11.50 .453	85005585A	85005594
10	18.30 .720	14.70 .579	85005586A	85005585A
12	22.63 .891	18.50 .728	85005587A	85005596
14	25.80 1.016	21.70 .854	85005588A	85005597
16	29.20 1.150	24.90 .980	85005589A	85005598
18	32.40 1.276	27.50 1.083	85005590A	85005589
20	35.60 1.402	30.80 1.213	85005591A	85005600
22	39.00 1.535	33.90 1.335	85005592A	85005601
24	42.20 1.661	37.00 1.457	85005593A	85005602

Dummy receptacle



shell size	Part number	B1	E1	J	D1	L1	L2 Max
08	8ST0.08GUR	20.73 .816	15.10 .594	3.14 .124	11.97 .471	16.05 .632	18.19 .716
10	8ST0.10GUR	23.94 .943	18.26 .719	3.14 .124	14.94 .588	16.05 .632	18.19 .716
12	8ST0.12GUR	26.32 1.036	20.62 .812	3.14 .124	19.01 .748	16.05 .632	18.19 .716
14	8ST0.14GUR	28.71 1.130	23.01 .906	3.14 .124	22.18 .873	16.05 .632	18.19 .716
16	8ST0.16GUR	31.07 1.223	24.61 .969	3.14 .124	25.36 .998	16.05 .632	18.19 .716
18	8ST0.18GUR	33.43 1.316	26.98 1.062	3.14 .124	28.53 1.123	16.05 .632	18.19 .716
20	8ST0.20GUR	36.63 1.442	29.38 1.157	3.14 .124	31.71 1.248	15.29 .602	18.19 .716
22	8ST0.22GUR	39.81 1.567	31.77 1.251	3.14 .124	34.88 1.373	15.29 .602	18.19 .716
24	8ST0.24GUR	42.98 1.692	34.92 1.375	3.14 .124	38.06 1.498	15.29 .602	18.19 .716

Gaskets

shell size	Gasket for receptacle type 0 (ordered separately)	O-Ring for receptacle type 7
08	8525 1431	71157 A
10	8525 1432	70626 A
12	8525 1433	70627 A
14	8525 1434	8599-1913
16	8525 1435	70869 A
18	8525 1436	70709 A
20	8525 1437	8599-1916
22	8525 1438	8599-1917
24	8525 1439	8599-1918

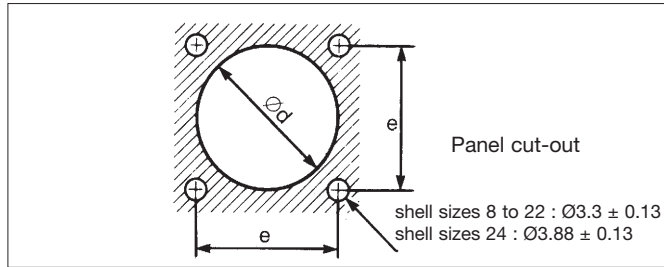
Notes : - gaskets correspond to the temperature resistance of Serie 8 ST (max. 175 °C)
 - for use up to 125 °C we offer gaskets in accordance with VG 95 328
 e.g. : VG 95 328 T 07 A... = non conductive
 VG 95 328 T 07 B... = conductive (for HF application)

8ST Series

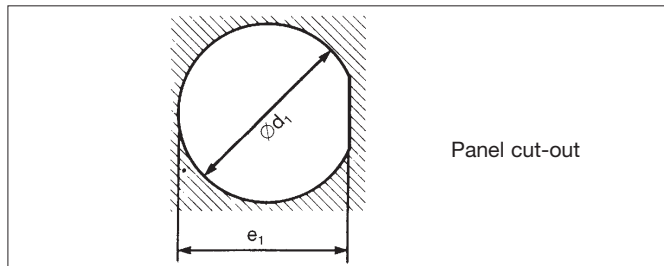


Panel cut-out

8 ST 0 style



8 ST 7 style



shell size	8ST0...		8ST 7...		
	back panel mounting	front panel mounting	e H13	d1 H13	e1 H13
08	14.00	12.70	15.10	14.50	13.60
	.551	.500	.594	.571	.535
10	17.00	16.00	18.30	17.70	16.80
	.669	.630	.720	.697	.661
12	22.00	19.00	20.60	22.70	20.90
	.866	.748	.811	.894	.823
14	25.00	22.20	23.00	25.70	24.10
	.984	.874	.906	1.012	.949
16	28.00	25.50	24.60	28.80	27.20
	1.102	1.004	.969	1.134	1.071
18	31.00	28.50	27.00	32.00	30.40
	1.220	1.122	1.063	1.260	1.197
20	34.50	31.70	29.40	35.10	33.60
	1.358	1.248	1.157	1.382	1.323
22	37.50	35.00	31.80	38.00	36.80
	1.476	1.378	1.252	1.496	1.449
24	41.00	38.00	34.90	42.00	39.90
	1.614	1.496	1.374	1.654	1.571